

Instruction and Maintenance Manual of Marine Life-saving Signal

Formulated by: Wu xinhua

Date: Aug, 28.2009

Audited by: Tony Bocell

Date: Sept, 01.2009

Approved by:

Date:

Huahai Marine Signals MFG. Co., Ltd.

Instruction & Maintenance Manual

Hand flare (HH-3)



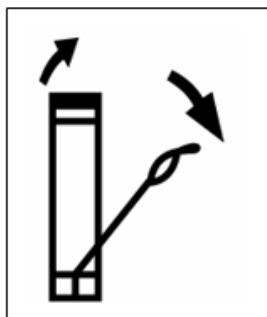
- | | | | |
|-----------------|---------------------|--------------|------------------|
| ★ 火焰颜色: | 发出明亮的红光 | ★ 发光时间: | ≥ 60 s |
| Flare colour | Burn with red flare | Burning time | |
| ★ 发光光强: | ≥ 15000 cd | ★ 外型尺寸: | $\Phi 25*173$ mm |
| Light intensity | | Size | |

Instruction & Maintenance Manual

Hand flare (HH-3)

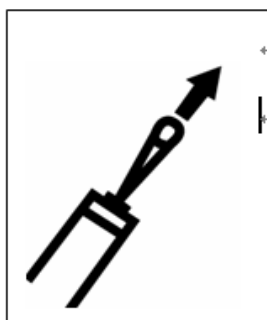
1. 操作说明 Instruction

①



拉转握柄，旋下安全盖。
Turn handle, Screw off cap.

②



拉掉拉线。
Pull ignition cord.

③



向下风燃放。
Hold flare leeward.

* 注意 *

- ◆ 仅供船舶救生时使用
- ◆ 燃放方向切勿对人
- ◆ 超出有效期请勿使用

* Warning *

- ◆ Use for distress signal only
- ◆ Don't aim at person during firing.
- ◆ Use before the expiry date

二. 维护保养手册 (Maintenance Manual)

1. 储存温度 (storage temperature): $-30^{\circ}\text{C} \sim +65^{\circ}\text{C}$ 。
2. 不可用火烧 (No burning)。
3. 不可加热 (No heating)。

Instruction & Maintenance Manual

Rocket parachute flare (HR-3)



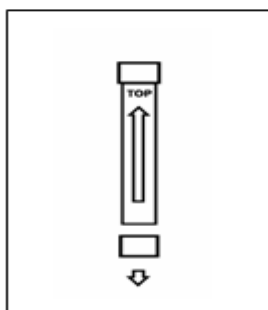
- | | | | |
|----------------------------|-----------|-------------------------|--------------------------------|
| ★ 发射高度:
Fired altitude | ≥300m | ★ 火焰颜色:
Flare colour | 发出明亮的红光
Burn with red flare |
| ★ 平均光强:
Light intensity | ≥30000 cd | ★ 发光时间:
Burning time | ≥ 40 s |
| ★ 外型尺寸:
Size | Φ47*262mm | | |

Instruction & Maintenance Manual

Rocket parachute flare (HR-3)

一. 操作说明 Instruction

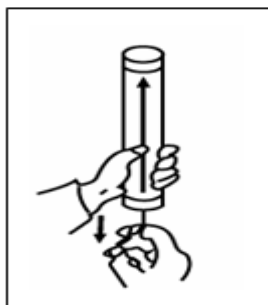
①



垂直向上，去掉下盖。

Direct mark "TOP", upwards, remove bottom cap.

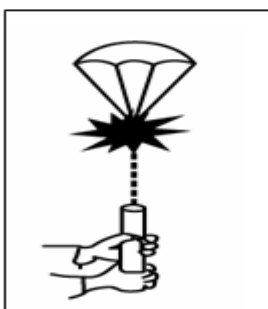
②



将信号举过头顶，抽出拉绳，用力拉出。

Hold signal over your head, pull out ignition line and pull hard.

③



双手握正，两秒后射出。

Hold signal firmly and upright with both hands, after 2s the rocket will fire.

* 注意 *

- ◆ 仅供船舶救生时使用
- ◆ 施放方向切勿对人
- ◆ 超出有效期请勿使用

* Warning *

- ◆ Use for distress signal only
- ◆ Don't direct outlet to person
- ◆ Use before the expiry date

二. 维护保养手册 (Maintenance Manual)

1. 储存温度 (storage temperature): $-30^{\circ}\text{C} \sim +65^{\circ}\text{C}$ 。
2. 不可用火烧 (No burning)。
3. 不可加热 (No heating)。

Instruction & Maintenance Manual

Buoyant smoke signal (HB-3)



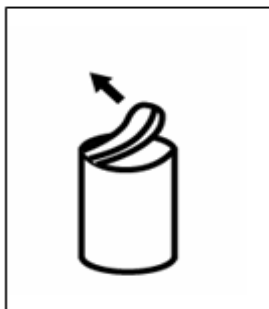
- | | | | |
|-------------------|-------------|---------------------|------------------------|
| ★ 烟雾颜色: | 橙色 | ★ 发烟时间: | $\geq 3 \text{ min}$ |
| Smoke colour: | orange | Smoke duration time | |
| ★ 烟雾浓度: | $\geq 70\%$ | ★ 外型尺寸: | $\Phi 81*137\text{mm}$ |
| smoke obscuration | | Size | |

Instruction & Maintenance Manual

Buoyant smoke signal (HB-3)

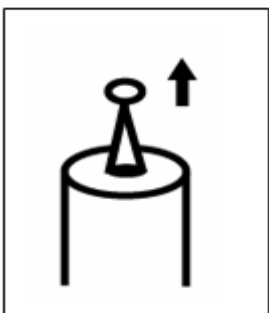
1. 操作说明 Instruction

①



掀下塑料盖。
Open plastic cap.

②



快速拉掉拉环。
Pull off ring rapidly.

③



将信号投入水中。
Throw it overboard.

* 注意 *

- ◆ 仅供船舶救生时使用
- ◆ 施放方向切勿对人
- ◆ 超出有效期请勿使用

* Warning *

- ◆ Use for distress signal only
- ◆ Don't direct outlet to person
- ◆ Use before the expiry date

二. 维护保养手册 (Maintenance Manual)

1. 储存温度 (storage temperature): $-30^{\circ}\text{C} \sim +65^{\circ}\text{C}$ 。
2. 不可用火烧 (No burning)。
3. 不可加热 (No heating)。

Instruction & Maintenance Manual

Lifebuoy self-ignition light& Self-activating smoke signal (HLS-2&HL-2)

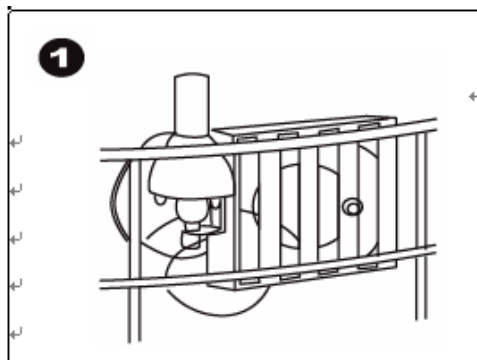


★ 发光强度: Light intensity	≥ 2cd	★ 发光时间: Burning time	≥ 2h
★ 外型尺寸: Size	Φ 190*132mm	★ 发烟时间: Smoke duration	≥ 15min
★ 烟雾颜色: Smoke colour	橙色 Orange	★ 外型尺寸: Size	Φ 94*450mm
★ 烟雾浓度: smoke obscuration	≥ 70%		

Instruction & Maintenance Manual

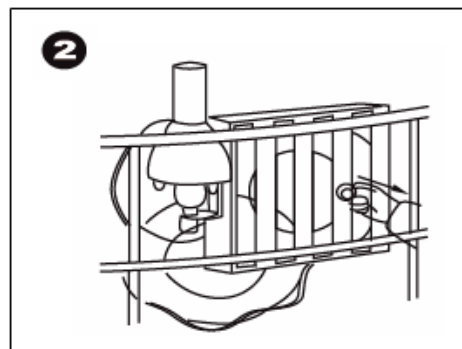
Lifebuoy self-ignition light & Self-activating smoke signal (HLS-2&HL-2)

1. 操作说明 Instruction



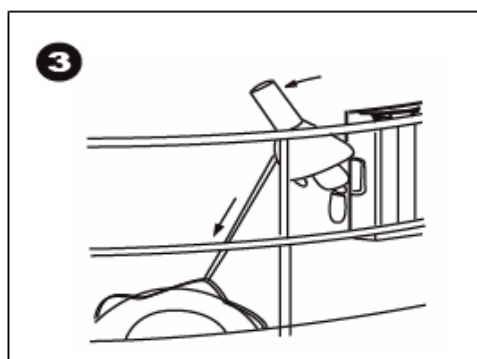
打开浮灯开关，将绳系到救生圈上，
固定螺母，拔掉安全销

Turn on switch of the light, connect line
to lifebuoy, fasten nut, take out safety pin.

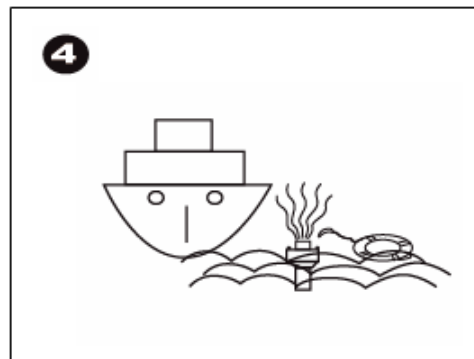


启动救生圈快速释放装置

Activate the quick release arrangement
of lifebuoy.



信号落下并自动点火。 In emergency situation, release the lifebuoy, the signal activating.



*** 注意 ***

- ◆ 仅供船舶救生时使用
- ◆ 施放方向切勿对人
- ◆ 超出有效期请勿使用

*** Warning ***

- ◆ Use for distress signal only
- ◆ Don't direct outlet to person
- ◆ Use before the expiry date

二. 维护保养手册 (Maintenance Manual)

1. 储存温度 (storage temperature): -30℃ ~ +65℃。
2. 不可用火烧 (No burning)。
3. 不可加热 (No heating)。

Instruction & Maintenance Manual

Line throwing appliance (HT-2)



- | | | | |
|-------------------------------|---------------------------|--|-----------|
| ★ 抛射距离:
Throwing distance: | ≥ 230m | ★ 绳子破断张力:
Breaking strength of line | ≥ 2KN |
| ★ 偏差距离
Deflection | ≤ 射程的 10%
Range' s 10% | ★ 外型尺寸:
Size | 280*345mm |

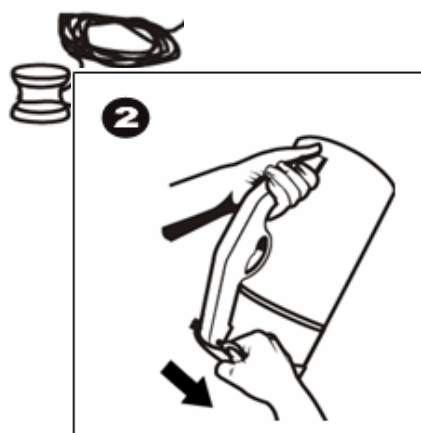
Instruction & Maintenance Manual

Line throwing appliance (HT-2)

1. 操作说明 Instruction



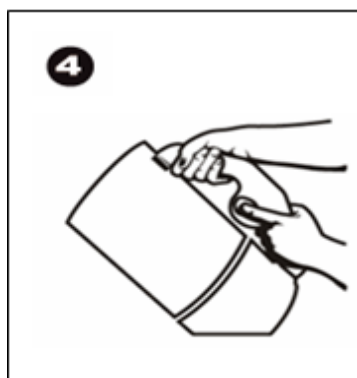
取掉塑料盖。
Remove the cover.



将有标记抛绳末端缚在大缆或缆桩上。
Fasten the labeled end of the line to a heavyline or bollard.



取掉握柄上有标记的安全插销。
Remove the labelled safety pin on the handle.



紧握把柄箭头对准目标，击发扳机。
Hold the handle with arrow mark to aim at target and fire the trigger.

*** 注意 ***

- ◆ 仅供船舶救生时使用
- ◆ 施放方向切勿对人
- ◆ 超出有效期请勿使用

*** Warning ***

- ◆ Use for distress signal only
- ◆ Don't direct outlet to person
- ◆ Use before the expiry date

二. 维护保养手册 (Maintenance Manual)

1. 储存温度 (storage temperature): $-30^{\circ}\text{C} \sim +65^{\circ}\text{C}$ 。
2. 不可用火烧 (No burning)。
3. 不可加热 (No heating)。

Instruction & Maintenance Manual

Line throwing appliance (HTP-2)



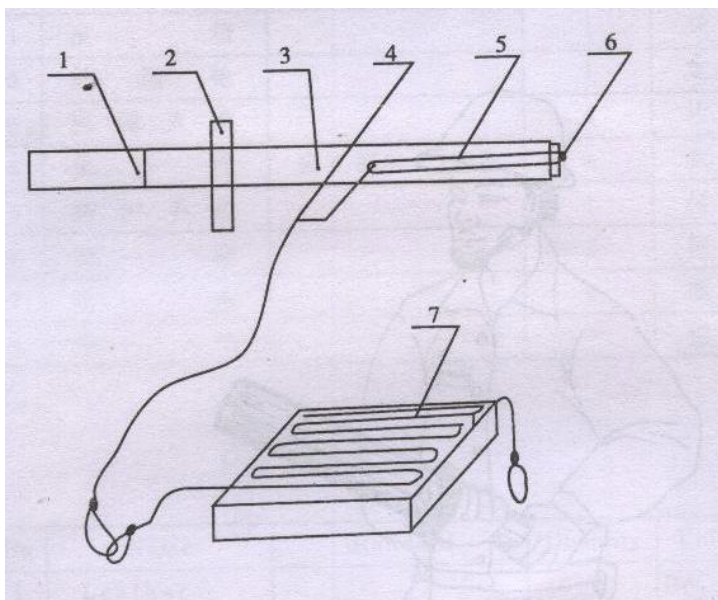
- | | | | |
|--|---------------------------|--------------------------------------|-------|
| ★ 抛射距离:
Throwing distance:
(In calm weather) | ≥ 230m | ★ 绳子破断张
+
Breaking
strength | ≥ 2KN |
| ★ 偏差距离
Deflection | ≤ 射程的 10%
Range' s 10% | | |
| ★ 枪外型尺寸:
Size: | Φ52*450mm | | |

Instruction & Maintenance Manual

Line throwing appliance (HTP-2)

1. 操作说明 Instruction

总体示意图 ILLUSTRATION



- | | | | |
|---------|---------|----------|--------|
| 1. 击发手柄 | 2. 防护圈 | 3. 枪体 | 4. 钢丝绳 |
| 5. 拖绳架 | 6. 抛绳火箭 | 7. 抛绳及绳盒 | |

- | | | |
|-----------------|---------------|----------------|
| 1. Fire handle | 2. Protector | 3. Pistol body |
| 4. Wire rope | 5. Rope shelf | 6. Pocket |
| 7. Line and box | | |

二. 维护保养手册 (Maintenance Manual)

1. 储存温度 (storage temperature): $-30^{\circ}\text{C} \sim +65^{\circ}\text{C}$ 。
2. 不可用火烧 (No burning)。
3. 不可加热 (No heating)。
4. 枪体存放前, 需擦刷清洁, 涂油, 使之处于良好状态。

(Clean all parts and smeat them with lub oil, keep it in good condition before stowing.)

FRING ILLUSTRATION



INSTRUCTION

1. Open the packing case, take out the pistol, rocket, line box and gloves.
2. Open the line box, fasten the guidance rope and the line end marked with “connect with the rope” to prevent the line from lossing (don’ t disorder the line in the box.).
3. Fasten the top of the line on the end of rocket.
4. Put the fire handle at the “Stand by” position.
5. Insert a rocket into barrel of pistol, keep the wire line under the pistol.
6. Put on gloves, stand behind the line box. Hold pistol firmly, make ready for the firing. (keep the end of the pistol away from the holder.)
7. Aim at the target with 15 ° to 25 ° of elevation and turn the fire handle, the rocket will fly to the target at once.
8. Clean all parts and smear them with lub oil, keep it in good condition before storage.

发射示意图



使用说明

1. 打开包装箱，取出抛绳枪、抛绳火箭、绳盒、防护手套。
2. 撕掉绳盒封口，打开绳盒，将引缆绳与抛绳标有“缚在大缆上”端系牢，防止抛绳抛出后失落（切勿弄乱盒中抛绳）。
3. 将抛绳上端与抛绳火箭末端连接牢。
4. 将枪击发手柄置于待发“待发”处。
5. 将抛绳火箭装入枪筒内，钢丝绳置于枪下。
6. 戴上手套，平稳地站在绳盒后面，拿稳发射枪即可发射。（注：枪尾部不可对准持枪人的身体。）
7. 枪口对准目标，取仰角 $15^{\circ} \sim 25^{\circ}$ ，转动击发手柄，火箭立即飞向目标。
8. 枪体存放前，需擦刷清洁，涂油，使之处于良好状态。